



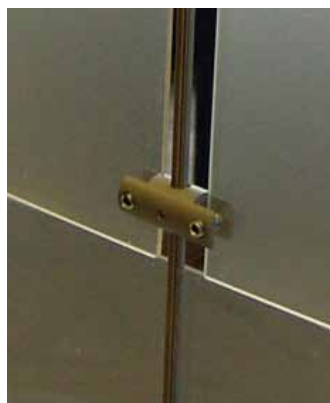
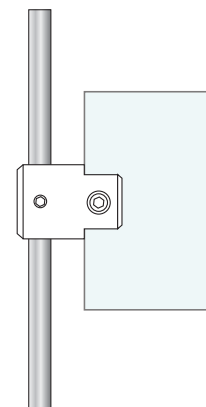
**Item Code:** RSet – Ceiling to floor rod with tensioning system.  
**Description:** 10' & 15' length, 1/4" stainless steel rod, ceiling to floor mounting system.  
**Common Applications:** Graphic displays, partitions, shelving.



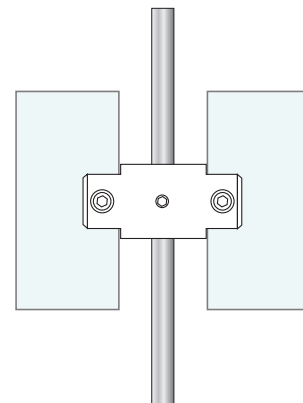
**Item Code:** WWPR – Wall to wall rod system.  
**Description:** 5' length, 1/4" stainless steel rod, wall to wall mounting system. Rods are mounted 1" off the wall.  
**Common Applications:** Graphic displays, brochure displays, directories.



**Item Code:** TVC – Vertical connector.  
**Description:** Connector for panel up to 3/8" thick.  
**Common Applications:** Graphic displays, brochure displays, partitions.

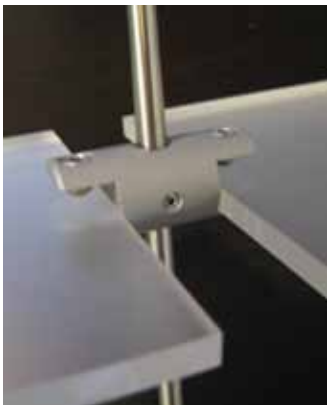
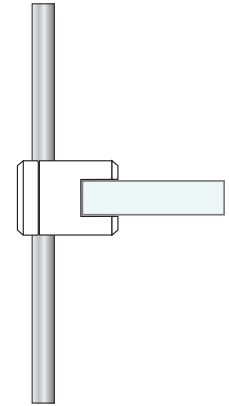


**Item Code:** TVCD – Double vertical connector.  
**Description:** Connector for panel up to 3/8" thick.  
**Common Applications:** Graphic displays, brochure displays, partitions.

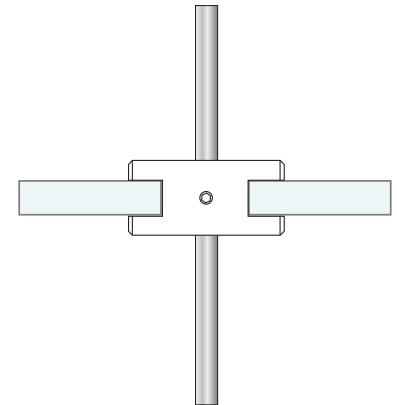




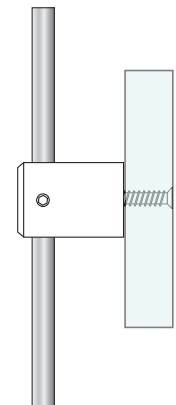
**Item Code:** THC – Horizontal connector.  
**Description:** Connector for shelf up to 3/8" thick.  
**Common Applications:** Shelving.



**Item Code:** THCD – Double horizontal connector.  
**Description:** Connector for shelf up to 3/8" thick.  
**Common Applications:** Shelving.



**Item Code:** TSC – Side connector.  
**Description:** Connector for panel greater than 3/8" thick.  
**Common Applications:** Brochure displays, partitions, cubes, banners.



**Item Code:** TDC – Drilled connector.  
**Description:** Connector for panel greater than 3/8" thick.  
 Drill hole diameter is 3/8".  
**Common Applications:** Shelving, cubes.

